

MINI CRANE **RPG** 2900

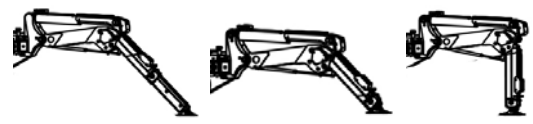


MAX LIFTING HEIGHT
9,5 m

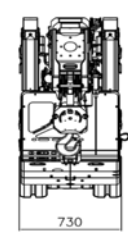
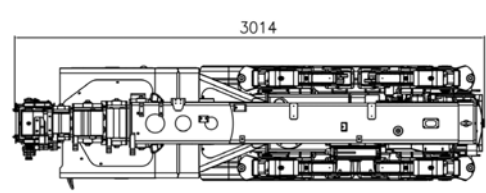
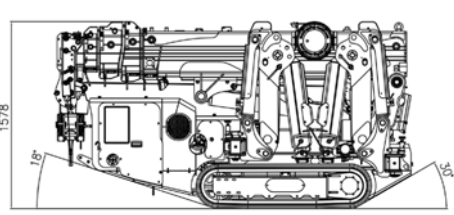
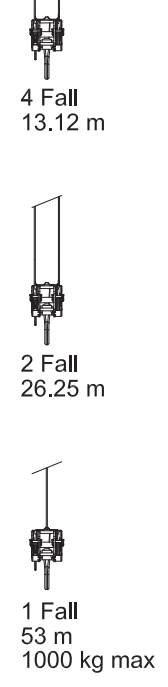
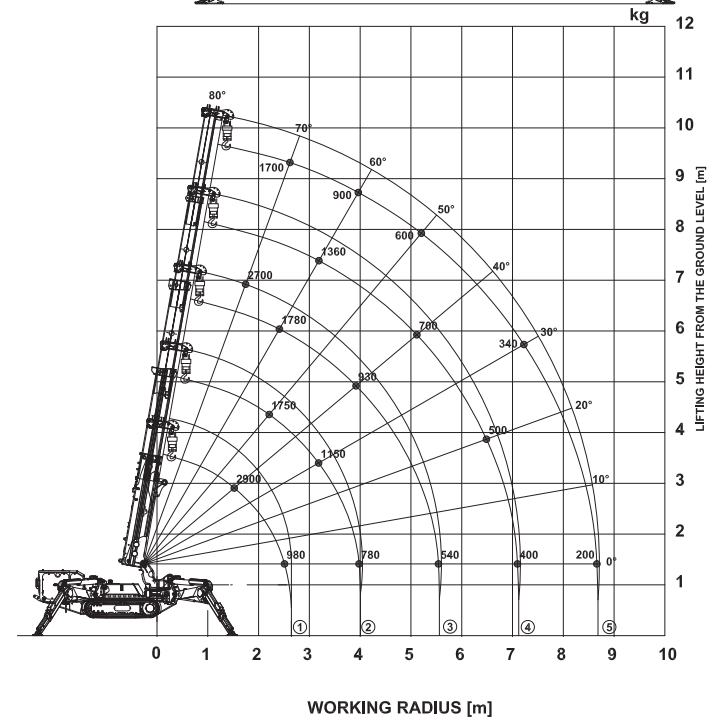
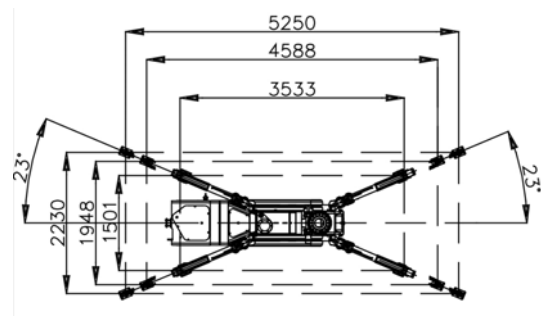
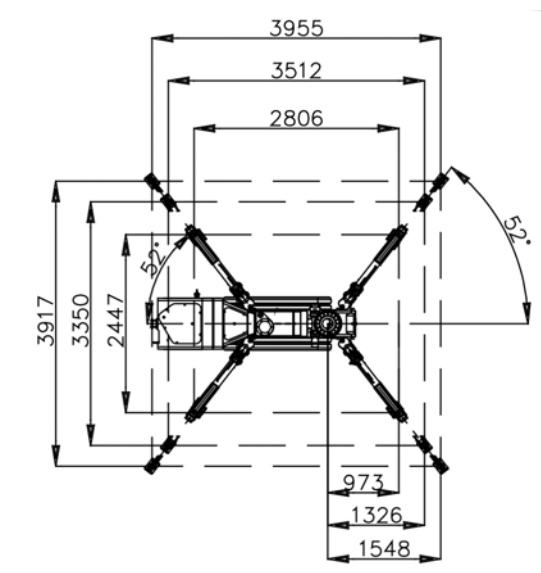
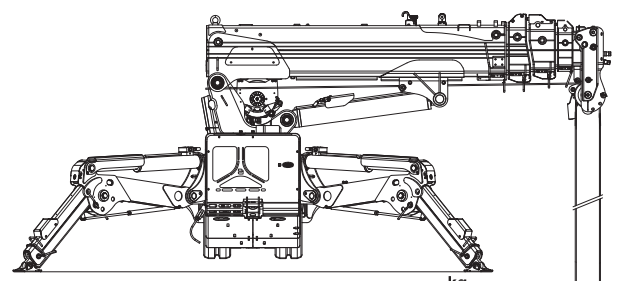
CRANE CAPACITY
2,9 t x 1,5 m

WORKING RADIUS
8,7 m x 0,2 t

n° 3 positions of stabilizers



max ground clearance for self loading 925 mm

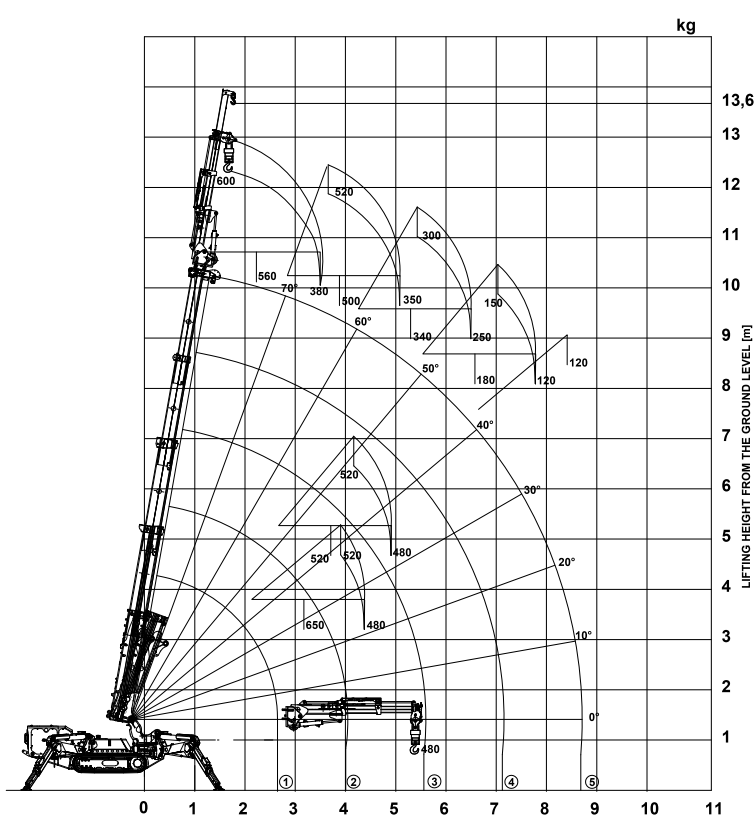


Bi-energy Diesel + AC	3 speed	8,7 m	2,9t x 1,5m	53m (1 fall)	min 2,5m max 9,5m	-53m with 1000kg load
endless	3,2 km/h	2600 kg	30%	23%	15,2 kN	3,9 kN/m ²
		3,5 t				

LOAD CAPACITIES FROM THE ROTATION CENTER

② SECOND STAGE EXTENDED BOOM LENGTH 2,2 m - 4 m									
up to	2,2m	3,5m	4m						
max. extended	1750	1000	780						
③ THIRD STAGE EXTENDED BOOM LENGTH 4 - 5,5 m									
up to	2,5m	3m	3,5m	4m	4,5m	5m	5,5m		
max. extended	1750	1600	1000	900	850	700	540		
④ FOURTH STAGE EXTENDED BOOM LENGTH 5,5 - 7,1 m									
up to	2,7m	3,5m	3,5m	4m	5m	5,5m	6,5m	7,1m	
max. extended	2600	1200	1200	950	700	600	500	400	
⑤ FIFTH STAGE EXTENDED BOOM LENGTH 7,1 - 8,7 m									
up to	2,5m	3,5m	4m	4,5m	5m	6m	7m	8,7m	
max. extended	1800	1200	900	750	700	550	430	200	

+ hydraulic jib max lifting height
13,6 m



Kg
2877 kg

+ mechanic extension

min 9,5m max 12,5m min 12,5m max 13,6m

1768

18° 30°

3086

877

730

Before use, please read the Operation Manual.
Due to improvements the specifications are subject to change without notice.